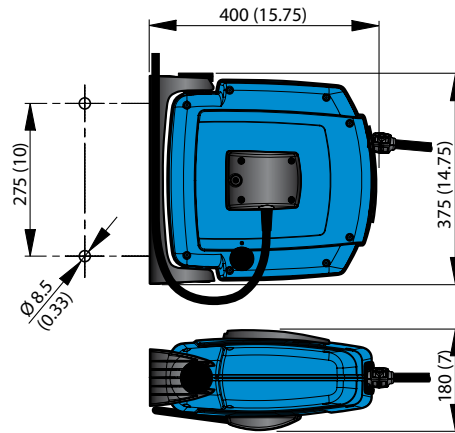


Hose Reel Series H30



Safe and functional hose reels for industrial use, professional tradesmen or do-it-yourself workshops. Robust design in high impact composite materials. Supplied with an easily mounted snap-on, pivoting wall bracket and a unique safety latch for safe and easy service. Equally suitable for pneumatic tools, staplers and blow guns.

- Snap-on wall brackets
- Unique safety latch
- Drum with ball bearings on both sides
- Pressed fitting and steel spiral hose protector
- Hose easily replaced



Use for	Max. working pressure MPa (psi)	Distribution hose, Int. Ø mm (in)	Distribution hose, Length, m	Connection hose, Int. Ø mm (in)	Connection hose, Length, m	Hose material	Hose type	Hose fittings, distribution hose	Weight, kg	Part no.
Air/Water	1.5 (220)	8 (5/16)	12	10 (3/8)	1	PVC / PUR	A	Male 1/4" BSP	~4	30800230
Air/Water	1.5 (220)	10 (3/8)	10	10 (3/8)	1	PVC / PUR	A	Male 3/8" BSP	~4	30800430

Max. recommended water temp. +40°C.
Material recycling: 100 %



Product availability may differ by country