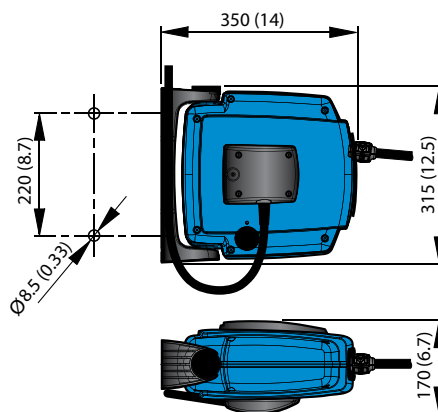


Hose Reel Series H20



Safe and functional hose reels for industrial use, professional tradesmen or do-it-yourself workshops. Robust design in high impact composite materials. Supplied with an easily mounted snap-on, pivoting wall bracket and a unique safety latch for safe and easy service. Equally suitable for pneumatic tools, staplers and blow guns.

- Snap-on wall brackets
- Unique safety latch
- Drum with ball bearings on both sides
- Pressed fitting and steel spiral hose protector
- Hose easily replaced



Use for	Max. working pressure MPa (psi)	Distribution hose Int. Ø mm (in)	Distribution hose Length, m	Connection hose Int. Ø mm (in)	Connection hose Length, m	Hose material	Hose type	Hose fittings, distribution hose	Weight, kg	Part no.
Air	1.2 (175)	6 (1/4)	12	10 (3/8)	1	PVC / PUR	A	Male 1/4" BSP	~3	30800220
Air	1.2 (175)	8 (5/16)	8	10 (3/8)	1	PVC / PUR	A	Male 1/4" BSP	~3	30800420

Material recycling: 100 %

